

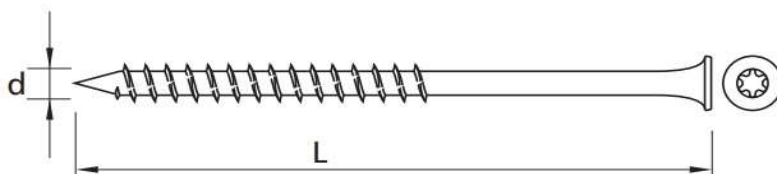
DTS 516 UD

Samourezni vijak sa torx glavom T25 za drvo

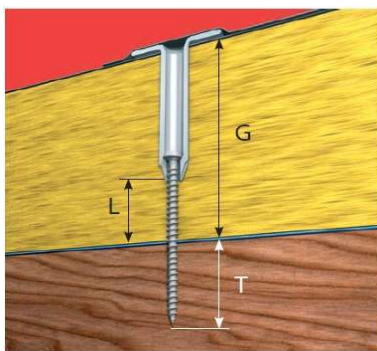
PROTECT 1000™

- Za pričvršćenje podne izolacije na ravnim krovovima;

- Koristi se sa teleskopskom izolacijskom tiplom DTS 515 U



$L \backslash D$	$\emptyset 5,0$
80	o
100	o



Insulation thickness G (mm)	DTS 515 L (mm)	Steel substrate S280GD	Wooden substrate \geq C24		Concrete substrate \geq C20/25	
		DTS 516 S L ₁ (mm)	Screw length L ₁ (mm)	Effective embedment depth h _{ef} (mm)	DTS 516 U L ₁ (mm)	Effective embedment depth h _{ef} (mm)
Round type						
50	35	50	80	20	55	30
60	35	60			65	
70	35	70			85	
80	60	60			65	
90	60	70			85	
100	60	80			85	
110	85	60			65	
120	95	60			65	
130	105	60			65	
140	115	60			65	
150	115	70			85	
160	135	60			65	
170	145	60			65	
180	145	70			85	
190	165	60			65	
200	165	70			85	
210	185	60			65	
220	185	70			85	
230	185	80			85	
240	215	60			65	
250	215	70	85			
260	235	60	65			
300	285	50	55			
350	325	60	65			
410	385	60	65			
460	435	60	65			
560	535	60	65			
Oval type						
80	65	50	80	20	-	-
100	65	70	100			
120	65	100	-			
150	65	120	-			

